

35 SERIES HC35W25R3



5 MP IP WDR IR Micro Dome Camera



OPERATIONAL	
Video Standard	NTSC/PAL
Scanning System	Progressive
Image Sensor	1/2.8" CMOS
Sensor Size (H x V)	5.184 mm x 3.888 mm
Number Of Pixels(H x V)	2592 x 1944
Minimum Illumination (Color/BW)	0.007 Lux/F2.0 (Color,30IRE), 0 Lux/F2.0 (IR ON)
S/N Ratio	50 dB
Electronic Shutter Speed	1/8 ~ 1/32,000
IR Distance	up to 30 m
IR Light Control	Smart IR (Auto/Manual)/OFF
IR Light Number	12
Day/Night	Auto (ICR) / Color / BW
Backlight Compensation	WDR, BLC, HLC
White Balance	Auto/Tungsten/ Fluorescent/ Daylight/Shadow/Manual
Gain Control	0-100%
Wide Dynamic Range	120 dB
Noise Reduction	2D / 3D DNR
Lens	2.8 mm, Fixed Iris, F2.0
Angle Of View	H:88°, V:65°
Privacy Masking	Off / On (4 Areas)
Defog	Support
Local Storage	Micro SD (up to 256 GB)
Alarm Inputs/Outputs	1In / 1 Out
Pan Range	0°-90°
Tilt Range	0°-70°
Rotation Range	0°-360°
VIDEO	
Video Compression	H.265 HEVC / H.264 / MJPEG, Smart Codec
Resolution	1st: 2592 x 1944 / 2592 x 1520 / 1920 x 1080 / 1280 x 720 2nd: 704 x 576(PAL) / 704 x 480(NTSC) / 640 x 480 / 352 x 288(PAL) / 352 x 240(NTSC) 3rd: 1920 x 1080 (MAX 12fps) / 640 x 480 / 352 x 288(PAL) / 352 x 240(NTSC) / 320 x 240
Number of Video Streams	3 (2 for encryption)
Frame Rate*	MAX 30fps
Bit Rate*	100K-12Mbps
AUDIO	
Audio Compression	G.711A / G.711U
Audio Stream	2-Way, Full duplex
Audio Interface	Line In/Out, Microphone

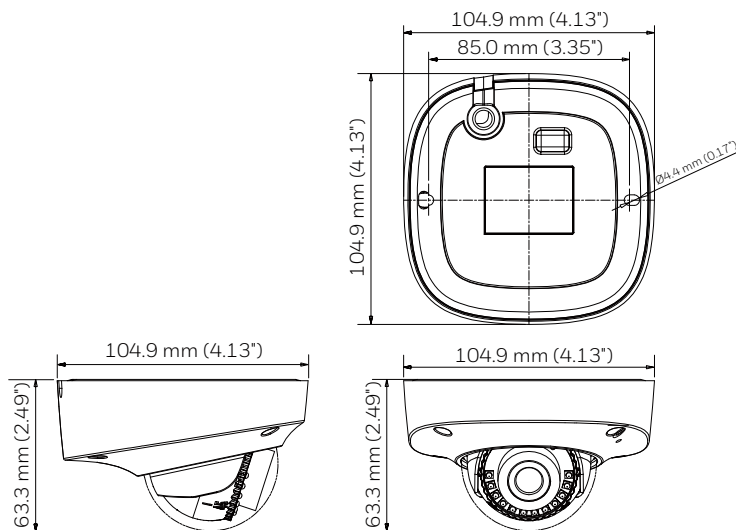
NETWORK	
Ethernet	10 Base-T/100 Base-TX Ethernet (RJ-45)
Supported Web Browsers	Chrome/Edge
Supported OS	Microsoft Windows 10
Protocols**	IPv4, IPv6, TCP / IP, HTTP, HTTPS, RTSP / RTP / RTCP, IGMP / Multicast, SMTP, DHCP, NTP, DNS, QoS, SNMP, 802.1X, UDP, ICMP, ARP, TLS
Interoperability	ONVIF Profile G/S/T
Maximum Users Access	10 Users
Security	User account and password protection, HTTPS, IP Filter, Digest authentication, TLS1.2 only, Stream encryption, AES128 / 256, SSH / Telnet closed, PCI-DSS compliance
Languages Supported	Arabic, Czech, Dutch, English, French, German, Italian, Japanese, Korean, Polish, Portuguese (Brazil), Russian, Spanish, Turkish
EVENTS / ANALYTICS	
Built-in Video Analytics	People Counter, Multi Loitering, Intrusion, Tampering, Smart Motion Detection (SMD), Motion Detection
Event Type	Video motion detection, Alarm input, Recording notification, Tampering
Event Linkage	Event notification using digital output, Email and MicroSD card
Region Of Interest	8
ELECTRICAL	
Power Supply	DC12V, PoE (IEEE 802.3af) (Class 0)
Power Consumption (Max)	Max 4.2 W
MECHANICAL	
Dimensions	104.9 mm x 104.9 mm x 63.3 mm (4.13" x 4.13" x 2.49")
Dome Diameter	Ø 56.4 mm (2.22")
Product Weight	0.55 kg (1.21 lb)
Package Weight	0.65 kg (1.43 lb)
Body Material	Die-cast aluminium housing
Color	Camera Body: RAL 9003 (Signal White) Front/Lens Facings: Pantone Black
ENVIRONMENTAL	
Operating Temperature	Starting Temperature: -40°C ~ 60°C (-40°F ~ 140°F) Working Temperature: -40°C ~ 60°C (-40°F ~ 140°F) (IR off)
Relative Humidity	Less than 90 %, non-condensing
Ingress Protection	IP66/IP67
Impact Resistance	IK10
REGULATORY	
Emissions	FCC PART 15, CE (EN 55032), Complies with RCM and UKCA
Immunity	CE(EN 50130-4), Complies with RCM and UKCA
Safety	UL LISTED TO UL/CSA 62368-1, CE(EN 62368-1), Complies with RCM and UKCA
RoHS	CE(EN 63000), UAE(Cabinet Decree No.10 of 2017)
Country of Origin	China

*For detailed information about frame rate and bit rate, please refer to the User Guide.
* Some development may be required in specific user cases to support some of these protocols in the field as they mature over time.

Honeywell

35 SERIES 5 MP IP WDR IR MICRO DOME CAMERA

DIMENSIONS



RECOMMENDED ACCESSORIES AND ORDERING

SYSTEM INTEGRATION*		OPTIONAL MOUNTS AND ACCESSORIES	
Pro-Watch NVR	Up to 256 IP channels RAID5 / 6 Enterprise NVR	HA60JCBH1	60S Junction Box
MAXPRO NVR PE	Up to 128 IP channels RAID5 / 6 Enterprise NVR	HA60PLMZ	60S Pole Mount Adapter
MAXPRO NVR SE	Up to 64 IP channels System NVR	HA60CNMZ	60S Corner Mount Adapter
MAXPRO NVR XE	Up to 16 IP channels System NVR		
MAXPRO NVR SOFTWARE	Up to 128 IP channels Recording Software		
ADPRO NVR FASTTRACE 2E	Up to 32 IP channels with up to 32 VA channels NVRs		
ADPRO NVR iFT-E	Up to 32 IP channels with up to 32 VA channels NVRs		
ADPRO NVR iFT	Up to 32 IP channels or 16 IP channels with up to 16 VA channels NVRs		
ADPRO NVR iFT GATEWAY	4 IP channels + 4 VA channels		
Honeywell DVM	Support with Honeywell DVM R710.1 (and later maintenance releases)		
30 Series NVR	Integration with 30 Series NVR		
35 Series NVR**	Integration with 35 Series NVR		

ORDERING	
HC35W25R3	5 MP IR Micro Dome Camera, WDR 120dB, 2.8 mm, POE, DC12V, Audio & Alarm In/Out, IK10

*Refer to the NVR integration matrix for more information.

**35 Series NVR will be released in June 2022.

For More Information

www.security.honeywell.com/me
buildings.honeywell.com

Honeywell Commercial Security

Emaar Business Park, Sheikh Zayed Road
 Building No. 2, 2nd floor, 201
 Post Office Box 232362
 Dubai, United Arab Emirates
 Tel: +971 4 450 5800
www.honeywell.com



ONVIF and the ONVIF logo are trademarks of ONVIF Inc.
 HEVC Advance logo is a trademark of HEVC Advance
 Honeywell reserves the right, without notification, to
 make changes in product design or specifications.

HSV-HC35W25R3-01-ME(0622)DS-Y
 © 2022 Honeywell International Inc.

