

## DS-2CD7A26G0/P-IZ(H)S 2 MP VF Bullet Network Camera

**DarkFighter**



## DeepinView

- 1/1.8" Progressive Scan CMOS
- 1920 × 1080 @ 60fps
- Color: 0.002 Lux @ (F1.2, AGC ON)
- H.265, H.265+, H.264, H.264+
- 140dB WDR
- 3D DNR
- Alarm I/O
- IP67, IK10
- 1 RS-485 interface
- IR range up to 50 m (2.8 to 12 mm)
- IR range up to 100 m (8 to 32 mm)
- Five defined streams and up to five custom streams
- 6 behavior analyses, 2 exception detection
- License Plate Recognition
- Supports alarms for listed license plate in the blacklist and whitelist
- Built-in microSD/SDHC/SDXC card slot, up to 256 GB



## Specifications

| <b>Camera</b>                             |   |
|---|---|
| Image Sensor                              | 1/1.8" Progressive Scan CMOS  |
| Min. Illumination                         | Color: 0.002 Lux @ (F1.2, AGC ON), 0 Lux with IR  |
| Shutter Speed                             | 1 s to 1/100,000 s  |
| Slow Shutter                              | Yes   |
| Day & Night                               | IR Cut Filter   |
| Digital Noise Reduction                   | 3D DNR  |
| WDR                                       | 140 dB  |
| Angle Adjustment                          | Bracket, pan: 0° to 355°, tilt: 0° to 90°, rotate: 0° to 360°   |
| <b>Lens</b>                               |   |
| Focal length                              | 2.8 to 12 mm<br>8 to 32 mm  |
| Aperture                                  | 2.8 to 12 mm: F1.2<br>8 to 32 mm: F1.6  |
| Focus                                     | Auto, semi-auto, manual   |
| FOV                                       | 2.8 to 12 mm: horizontal FOV 103.3° to 38.6°, vertical FOV 54.2° to 21.9°, diagonal FOV 124.2° to 44.3°<br>8 to 32 mm: horizontal FOV 42.5° to 13.4°, vertical FOV 23.4° to 7.7°, diagonal FOV 49° to 15.3° |
| Lens Mount                                | Integrated  |
| <b>IR</b>                                 |   |
| IR Range                                  | 2.8 to 12 mm: up to 50 m<br>8 to 32 mm: up to 100 m   |
| Wavelength                                | 850 nm  |
| <b>Compression Standard</b>               |   |
| Video Compression                         | Main stream: H.265/H.264/H.265+/H.264+<br>Sub stream/third stream/fourth stream/fifth stream/custom stream: H.265/H.264/MJPEG   |
| H.264 Type                                | Baseline Profile/Main Profile/High Profile  |
| H.264+                                    | Main stream supports  |
| H.265 Type                                | Main Profile  |
| H.265+                                    | Main stream supports  |
| Video Bit Rate                            | 32 Kbps to 16 Mbps  |
| Audio Compression                         | No  |
| Audio Bit Rate                            | No  |
| <b>Smart Feature-set</b>                  |   |
| Perimeter Protection                      | Line crossing detection, intrusion detection, region entrance detection, region exiting detection, unattended baggage detection, object removal detection   |
| Exception Detection                       | Scene change detection, defocus detection   |
| Statistics                                | No  |
| Face Detection                            | Yes   |
| Recognition                               | License Plate Recognition   |
| Region of Interest                        | 4 fixed regions for main stream, sub stream, third stream, fourth stream, and fifth stream, and dynamic tracking  |
| <b>Road Traffic and Vehicle Detection</b> |   |

|  |   |
|--|---|
| Accuracy<br>(Under recommended installation and lighting conditions) | Capture rate > 98%<br>Vehicle moving direction recognition accuracy > 96%<br>Mistaken capture rate < 2% (entrance/exit), < 5% (checkpoint)  |
| Blacklist and whitelist  | Max. 10,000 records   |
| No License Plate Detection   | Yes   |
| Motorcycle LPR   | Yes (only applicable to checkpoint)   |
| <b>Image</b>   |   |
| Max. Resolution  | 1920 × 1080   |
| Main Stream  | 50Hz: 50fps (1920 × 1080, 1280 × 960, 1280 × 720)<br>60Hz: 60fps (1920 × 1080, 1280 × 960, 1280 × 720)  |
| Sub Stream   | 50Hz: 25fps (704 × 576, 640 × 480)<br>60Hz: 30fps (704 × 480, 640 × 480)  |
| Third Stream   | 50Hz: 25fps (1920 × 1080, 1280 × 960, 1280 × 720, 704 × 576, 640 × 480)<br>60Hz: 30fps (1920 × 1080, 1280 × 960, 1280 × 720, 704 × 480, 640 × 480)  |
| Fourth Stream  | 50Hz: 25fps (1920 × 1080, 1280 × 720, 704 × 576, 640 × 480)<br>60Hz: 30fps (1920 × 1080, 1280 × 720, 704 × 480, 640 × 480)  |
| Fifth Stream   | 50Hz: 25fps (704 × 576, 640 × 480)<br>60Hz: 30fps (704 × 480, 640 × 480)  |
| Custom Stream  | 50Hz: 25fps (1920 × 1080, 1280 × 720, 704 × 576, 640 × 480)<br>60Hz: 30fps (1920 × 1080, 1280 × 720, 704 × 480, 640 × 480)  |
| Image Enhancement  | BLC, HLC, 3D DNR, Defog, EIS, lens distortion correction  |
| Image Setting  | Rotate mode, saturation, brightness, contrast, sharpness, AGC, and white balance are adjustable by client software or web browser   |
| Target Cropping  | Yes   |
| SVC  | H.264 and H.265 encoding  |
| Day/Night Switch   | Day/Night/Auto/Schedule/Triggered by Alarm In/ Triggered by video   |
| Picture Overlay  | LOGO picture can be overlaid on video with 128 × 128 24bit bmp format   |
| <b>Network</b>   |   |
| Network Storage  | microSD/SDHC/SDXC card (256 GB), local storage and NAS (NFS, SMB/CIFS), ANR   |
| Alarm Trigger  | Motion detection, video tampering alarm, network disconnected, IP address conflict, illegal login, HDD full, HDD error, alarm for listed license plate in the blacklist and whitelist             |
| Protocols  | TCP/IP, ICMP, HTTP, HTTPS, FTP, DHCP, DNS, DDNS, RTP, RTSP, RTCP, PPPoE, NTP, UPnP, SMTP, SNMP, IGMP, 802.1X, QoS, IPv6, UDP, Bonjour   |
| Security Measures  | Password protection, HTTPS encryption, IEEE 802.1x port-based network access control, IP address filter, basic and digest authentication for HTTP/HTTPS, WSSE and digest authentication for ONVIF |
| General Function   | One-key reset, anti-flicker, five streams and custom stream, heartbeat, password protection, privacy mask, watermark, IP address filter   |
| API  | ONVIF (PROFILE S, PROFILE G), ISAPI, SDK  |
| Simultaneous Live View   | Up to 20 channels   |
| User/Host  | Up to 32 users. 3 user levels: administrator, operator and user   |
| Client   | iVMS-4200, Hik-Connect, iVMS-5200, Hik-Central  |
| Web Browser  | Plug-in required live view: IE8+, Chrome31.0-44, Mozilla Firefox30.0-51, Safari8.0+<br>Plug-in free live view: Chrome45+, Mozilla Firefox52+  |
| <b>Interface</b>   |   |
| Audio  | No  |
| Communication Interface  | 1 RJ45 10M/100M/1000M Ethernet port,<br>1 RS-485 interface (half duplex, HIKVISION, Pelco-P, Pelco-D, self-adaptive)  |

|                               |   |
|-------------------------------|---|
| Alarm                         | 2 inputs, 2 outputs (up to 24 VDC 1A or 110 VAC 500 mA)   |
| Video Output                  | 1Vp-p composite output (75 Ω/CVBS)  |
| On-board storage              | Built-in micro SD/SDHC/SDXC slot, up to 256 GB  |
| BNC                           | CVBS analog output (4CIF resolution), internal  |
| Reset Button                  | Yes   |
| <b>Audio</b>                  |   |
| Environment Noise Filtering   | No  |
| Audio Sampling Rate           | No  |
| <b>General</b>                |   |
| Firmware Version              | 5.5.60  |
| Operating Conditions          | -30 °C to 60 °C (-22 °F to 140 °F), -H: -40 °C to 60 °C (-40 °F to 140 °F)<br>Humidity 95% or less (non-condensing)   |
| Power Supply                  | 12 VDC ± 20%, two-core terminal block<br>PoE (802.3at, class 4)   |
| Power Consumption and Current | -IZS: 12 VDC, 1.2 A, max. 14 W; PoE (802.3at, 42.5 V to 57 V), 0.4 A to 0.3 A<br>-IZHS: 12 VDC, 1.4 A, max. 16.5 W; PoE (802.3at, 42.5 V to 57 V), 0.4 A to 0.3 A |
| Protection Level              | IP67, IK10  |
| Heater                        | -H: yes   |
| Material                      | Aluminum alloy  |
| Dimensions                    | Camera: Φ140 × 351 mm (Φ5.5" × 13.8")<br>With package: 405 × 190 × 180 mm (15.9" × 7.5" × 7.1")   |
| Weight                        | Camera: approx. 2.5 kg (5.51 lb.)<br>With package: approx. 2.75 kg (6.06 lb.)   |

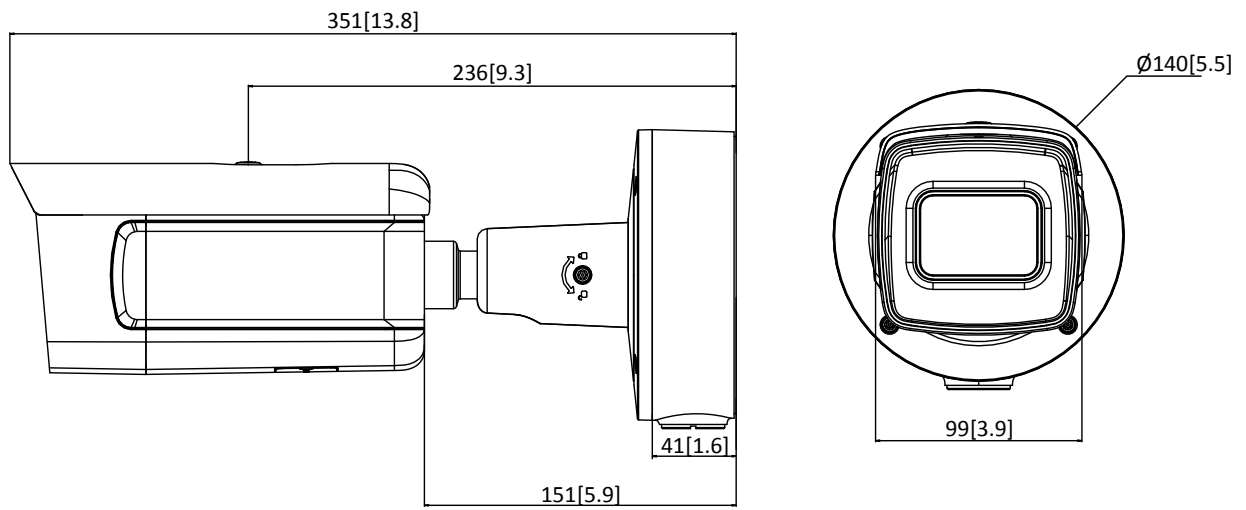
\* Listed resolutions are only selectable options. It does not mean that all streams can work at their maximum resolution at the same time.

## Available Model

DS-2CD7A26G0/P-IZS (2.8-12 mm), DS-2CD7A26G0/P-IZHS (2.8-12 mm), DS-2CD7A26G0/P-IZS (8-32 mm), DS-2CD7A26G0/P-IZHS (8-32 mm)

\*-H: Heater supported

## Dimension



Unit: mm[inch]

## Accessory



DS-1475ZJ-SUS  
Vertical Pole Mount



DS-1476ZJ-SUS  
Corner Mount



DS-2251ZJ  
Column Mount

Distributed by

**HIKVISION®****Headquarters**

No.555 Qianmo Road, Binjiang District,  
Hangzhou 310051, China  
T +86-571-8807-5998  
overseasbusiness@hikvision.com

**Hikvision USA**  
T +1-909-895-0400  
sales.usa@hikvision.com

**Hikvision Italy**  
T +39-0438-6902  
info.it@hikvision.com

**Hikvision Singapore**  
T +65-6684-4718  
sg@hikvision.com

**Hikvision Africa**  
T +27 (10) 0351172  
sale.africa@hikvision.com

**Hikvision Europe**  
T +31-23-55-42-770  
info.eu@hikvision.com

**Hikvision France**  
T +33(0)1-85-330-450  
info.fr@hikvision.com

**Hikvision Oceania**  
T +61-2-8599-4233  
salesau@hikvision.com

**Hikvision Hong Kong**  
T +852-2151-1761

**Hikvision Middle East**  
T +971-4-8816086  
salesme@hikvision.com

**Hikvision Spain**  
T +34-91-737-16-55  
info.es@hikvision.com

**Hikvision Canada**  
T +1-909-895-0400  
sales.usa@hikvision.com

**Hikvision Russia**  
T +7-495-669-67-99  
saleru@hikvision.com

**Hikvision Poland**  
T +48-22-460-01-50  
poland@hikvision.com

**Hikvision Korea**  
T +82-31-731-8841  
sales.korea@hikvision.com

**Hikvision India**  
T +91-22-28469900  
sales@pramahikvision.com

**Hikvision UK**  
T +01628-902140  
support.uk@hikvision.com

**Hikvision Brazil**  
T +55 11 3318-0050  
Latam.support@hikvision.com